



SmartMaster

Art. No.: 64 300



Technical Data

Filter	
Filter stages	3
Filter method	Storage Filter
Filter surface	13 m ²
Type of filter	Filter cassette
Filter material	Non-woven fibre
Filter efficiency	> 99,5 %
Filter class	E12
Additional filters	Two pre-filters
Basic data	
Extraction capacity	950 m ³ /h
Weight	71 kg
Motor power	1.1 kW
Power supply	1 x 230 V / 50 Hz
Rated current	6.7 A
Control voltage	230 V, AC
Noise level	72 dB(A)
Additional information	
IFA-Certification	W3-Approved
Fan type	Radial fan
Quantity of extraction arms	1
Exhaust arm type	flexible exhaust arm
Diameter extraction arm	150 mm
Length of exhaust arm	2 m

Applications

- Suitable for all materials, including high-alloy steel
- Low amounts of smoke/dust
- Occasional use

Benefits

- Exhaust arm requires less adjustment due to flow-optimised exhaust hood design
- Increased safety due to filter monitoring
- Flexible use due to hose connection

Properties

- W3/IFA certified
- Exhaust arm 2 m
- Handle with cable holder
- Rotating exhaust hood

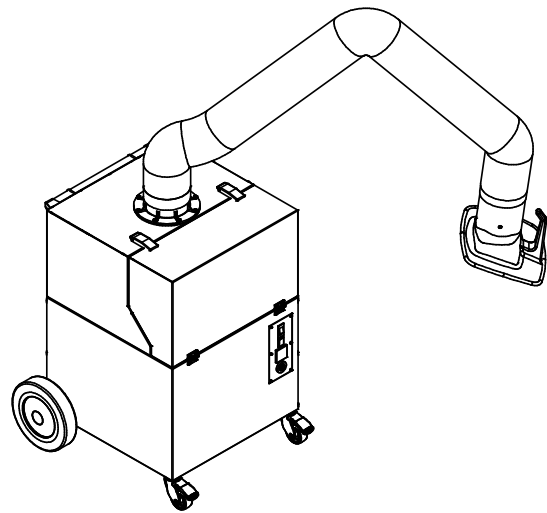
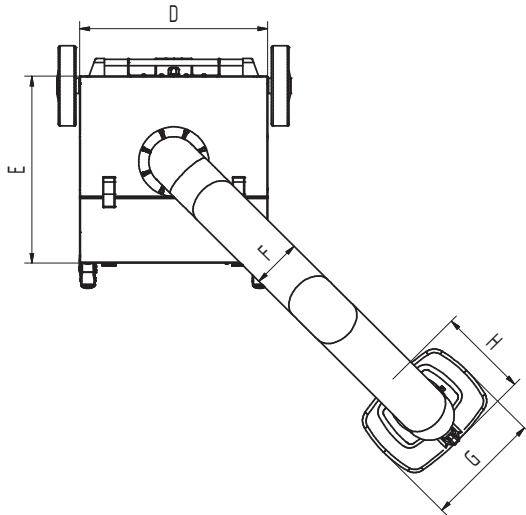
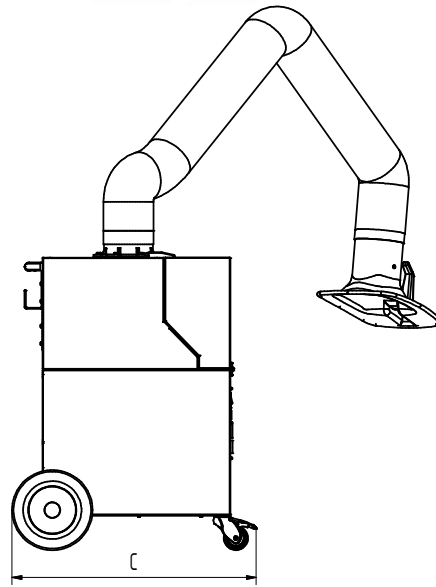
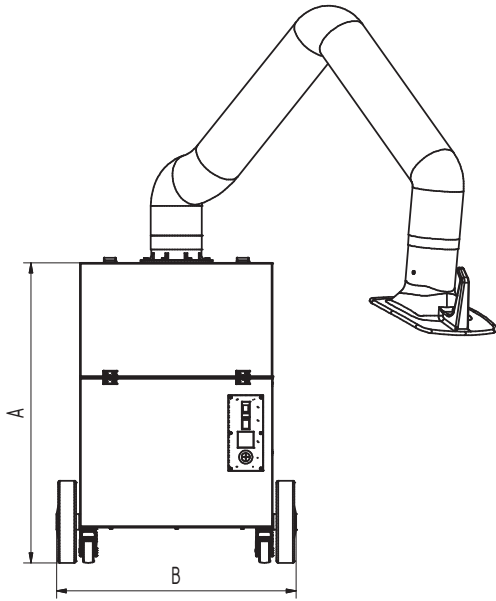
Kilkenny Welding Supplies LTD.

Cuffesgrange, Co.Kilkenny PH: (056) 7729949

Portlaoise, Co.Laois PH: (057) 8621479

info@kws.ie www.kws.ie

KEMPER



Technical Data

Dimensions

A	909 mm
B	722 mm
C	753 mm
D	580 mm
E	580 mm
F	150 mm
G	360 mm
H	295 mm

Kilkenny Welding Supplies LTD.

Cuffesgrange, Co.Kilkenny PH: (056) 7729949

Portlaoise, Co.Laois PH: (057) 8621479

info@kws.ie www.kws.ie

KEMPER